

Mounting brackets

series HM-MS 1

suitable for connection box HM-PCB1

bracket complete for tube mounting, consisting of:

- 1 pc. mounting plate made in V2A
- 2 pc. angle made in V2A
- 4 pc. mounting screws with nuts and washers for the mounting of the connecting box
- 2 pc. 0,8m thread-clamping band
- 2 pc. thread clamping head
- 2 pc. deflection angle with mounting screws
- 2 pc. screw M8x8 with helical spring washers
- 4 pc. nut M6 with washers and helical spring washers

order-no.: 72000010

series HM-MS2

suitable for connection box HM-PCB2

bracket complete for tube mounting, consisting of:

- 1 pc. mounting plate made in V2A
- 2 pc. angle made in V2A
- 4 pc. mounting screws with nuts and washers for the mounting of the connecting box
- 2 pc. 0,8m thread-clamping band
- 2 pc. thread clamping head
- 2 pc. deflection angle with mounting screws
- 2 pc. screw M8x8 with helical spring washers
- 4 pc. nut M6 with washers and helical spring washers

order-no.: 72000011



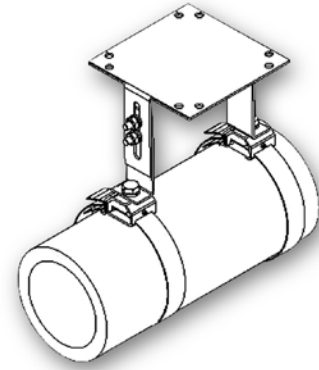
series HM-MS3

suitable for connection box HM-PCB 3

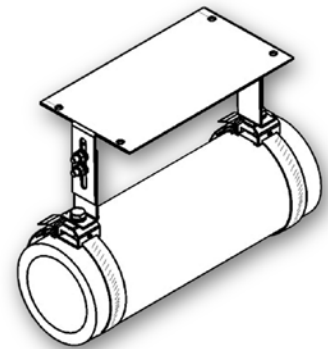
bracket complete for tube mounting, consisting of:

- 1 pc. mounting plate made in V2A
- 2 pc. angle made in V2A
- 4 pc. mounting screws with nuts and washers for the mounting of the connecting box
- 2 pc. 0,8m thread-clamping band
- 2 pc. thread clamping head
- 2 pc. deflection angle with mounting screws
- 2 pc. screw M8x8 with helical spring washers
- 4 pc. nut M6 with washers and helical spring washers

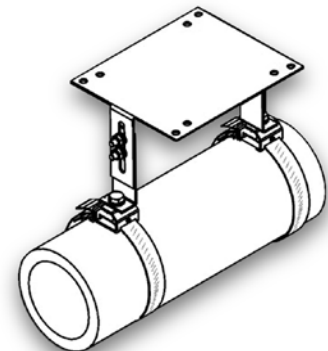
order-no.: 72000012



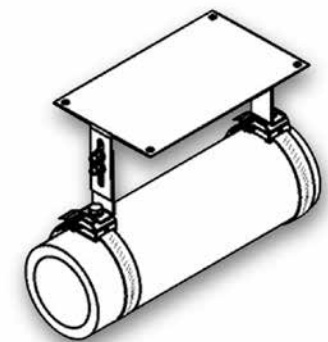
HM-MS1 stainless steel plate 120 x 120 mm



HM-MS2 stainless steel plate 220 x 120 mm



HM-MS3 stainless steel plate 170 x 140 mm



HM-MS4 stainless steel plate 230 x 140 mm

series HM-MS4

suitable for capillary thermostat HM-CSTL

bracket complete for tube mounting, consisting of:

- 1 pc. mounting plate made in V2A
- 2 pc. angle made in V2A
- 4 pc. mounting screws with nuts and washers for the mounting of the connecting box
- 2 pc. 0,8m thread-clamping band
- 2 pc. thread clamping head
- 2 pc. deflection angle with mounting screws
- 2 pc. screw M8x8 with helical spring washers
- 4 pc. nut M6 with washers and helical spring washers

order-no.: 72000013



MOHR & CO
Laborhandelsgesellschaft mbH

D-69181 Leimen
Gottlieb-Daimler-Straße 2

Phone + 49 (0) 6224 7 10 93 + 94
Fax + 49 (0) 6224 7 70 12

info@labo-mohr.de
www.labo-mohr.de